

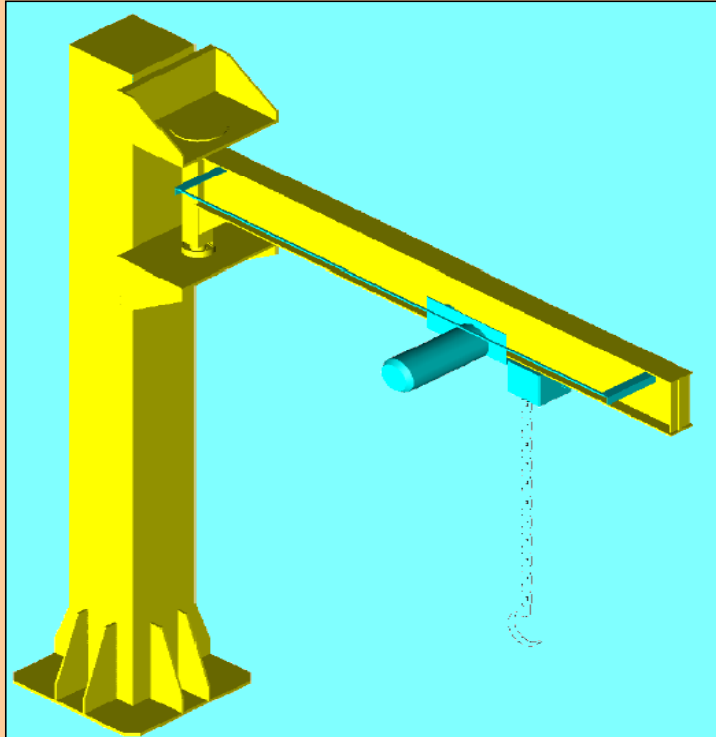
KUUALITY

engineers

AN ISO 9001 : 2000 COMPANY

JIB CRANE CATALOGUE

Jib Crane is most suitable Material Handling Equipment on shop floor to handle Material from 100 Kg to 5000 Kg in 360 Degree Rotation and 2 Meter to 6 meter span. We Manufacture Jib Cranes in Three Models.



1. MO : Manually Operated : Up - Down, Cross and Swing all three Movements Manually Operated
2. SM : Semi Motorized : Up - Down , Cross Movements Motorized and Swing Movement Manually
3. FM : Fully Motorised : Up - Down, Cross and Swing all three Movements Motorized

How to Order a Jib Crane : For Example - MODEL NO : **MO-3.0-03-120**

MO : Manually Operated

3.0 : 3000 KG Capacity

03 : 3000mm Height and 3000mm Jib Span

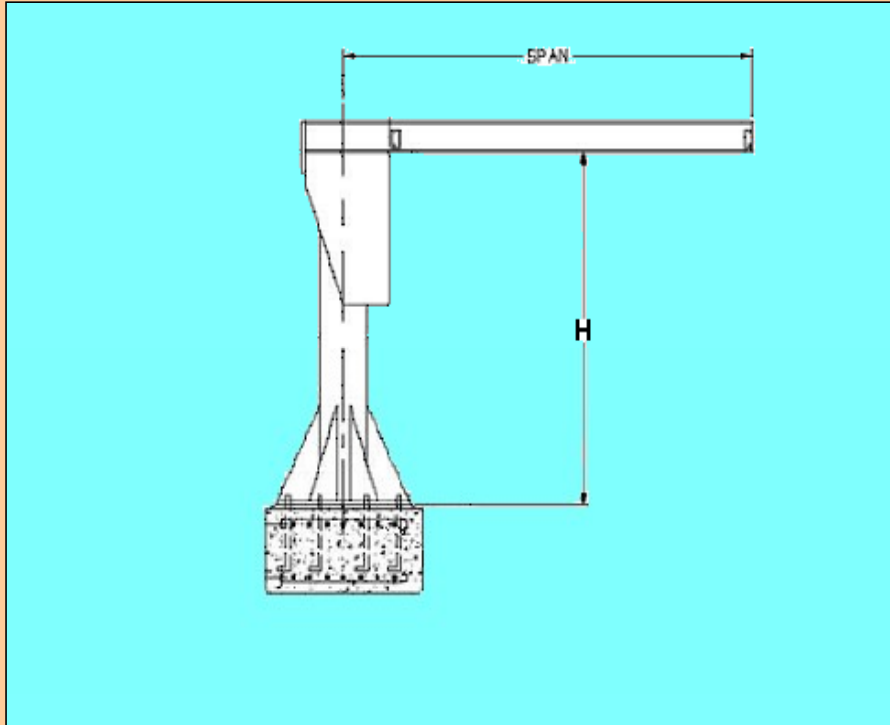
120 : Degree of Jib Rotation

KUUALITY

engineers

AN ISO 9001 : 2000 COMPANY

JIB CRANE CATALOGUE

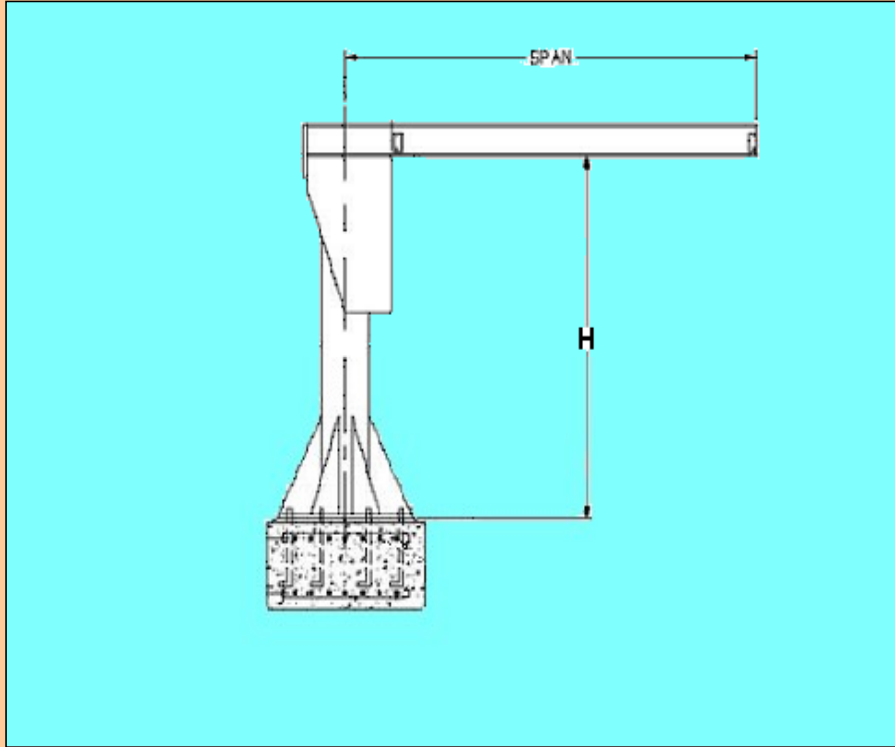


1. MANUALLY OPERATED JIB CRANE MODELS

| MODEL NO. | CAPACITY IN KGS | HEIGHT IN MM | JIB SPAN IN MM | DEGREE OF ROTATION |
|-----------|-----------------|--------------|----------------|--------------------|
| MO-0.5-01 | 500 | 2000 | 2000 | 120-360 |
| MO-0.5-02 | 500 | 3000 | 3000 | 120-360 |
| MO-0.5-03 | 500 | 4000 | 4000 | 120-360 |
| MO-0.5-04 | 500 | 5000 | 5000 | 120-360 |
| MO-0.5-05 | 500 | 6000 | 6000 | 120-360 |
| MO-1.0-01 | 1000 | 2000 | 2000 | 120-360 |
| MO-1.0-02 | 1000 | 3000 | 3000 | 120-360 |
| MO-1.0-03 | 1000 | 4000 | 4000 | 120-360 |
| MO-1.0-04 | 1000 | 5000 | 5000 | 120-360 |
| MO-1.0-05 | 1000 | 6000 | 6000 | 120-360 |
| MO-2.0-01 | 2000 | 2000 | 2000 | 120-360 |
| MO-2.0-02 | 2000 | 3000 | 3000 | 120-360 |
| MO-2.0-03 | 2000 | 4000 | 4000 | 120-360 |
| MO-2.0-04 | 2000 | 5000 | 5000 | 120-360 |
| MO-2.0-05 | 2000 | 6000 | 6000 | 120-360 |
| MO-3.0-01 | 3000 | 2000 | 2000 | 120-360 |
| MO-3.0-02 | 3000 | 3000 | 3000 | 120-360 |
| MO-3.0-03 | 3000 | 4000 | 4000 | 120-360 |
| MO-3.0-04 | 3000 | 5000 | 5000 | 120-360 |
| MO-3.0-05 | 3000 | 6000 | 6000 | 120-360 |

KUUALITY

engineers
AN ISO 9001 : 2000 COMPANY
JIB CRANE CATALOGUE



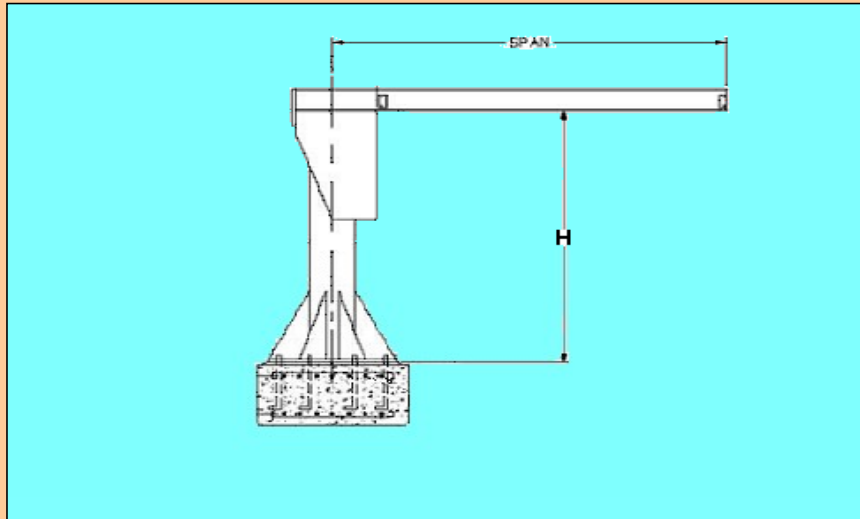
2. SEMI MOTORISED JIB CRANE MODELS

| MODEL NO. | CAPACITY IN KGS | HEIGHT IN MM | JIB SPAN IN MM | DEGREE OF ROTATION |
|-----------|-----------------|--------------|----------------|--------------------|
| SM-0.5-01 | 500 | 2000 | 2000 | 120-360 |
| SM-0.5-02 | 500 | 3000 | 3000 | 120-360 |
| SM-0.5-03 | 500 | 4000 | 4000 | 120-360 |
| SM-0.5-04 | 500 | 5000 | 5000 | 120-360 |
| SM-0.5-05 | 500 | 6000 | 6000 | 120-360 |
| SM-1.0-01 | 1000 | 2000 | 2000 | 120-360 |
| SM-1.0-02 | 1000 | 3000 | 3000 | 120-360 |
| SM-1.0-03 | 1000 | 4000 | 4000 | 120-360 |
| SM-1.0-04 | 1000 | 5000 | 5000 | 120-360 |
| SM-1.0-05 | 1000 | 6000 | 6000 | 120-360 |
| SM-2.0-01 | 2000 | 2000 | 2000 | 120-360 |
| SM-2.0-02 | 2000 | 3000 | 3000 | 120-360 |
| SM-2.0-03 | 2000 | 4000 | 4000 | 120-360 |
| SM-2.0-04 | 2000 | 5000 | 5000 | 120-360 |
| SM-2.0-05 | 2000 | 6000 | 6000 | 120-360 |
| SM-3.0-01 | 3000 | 2000 | 2000 | 120-360 |
| SM-3.0-02 | 3000 | 3000 | 3000 | 120-360 |
| SM-3.0-03 | 3000 | 4000 | 4000 | 120-360 |
| SM-3.0-04 | 3000 | 5000 | 5000 | 120-360 |
| SM-3.0-05 | 3000 | 6000 | 6000 | 120-360 |

KUUALITY

engineers
AN ISO 9001 : 2000 COMPANY

JIB CRANE CATALOGUE



3. FULLY MOTORIZED JIB CRANE MODELS

| MODEL NO. | CAPACITY IN KGS | HEIGHT IN MM | JIB SPAN IN MM | DEGREE OF ROTATION |
|-----------|-----------------|--------------|----------------|--------------------|
| FM-0.5-01 | 500 | 2000 | 2000 | 120-360 |
| FM-0.5-02 | 500 | 3000 | 3000 | 120-360 |
| FM-0.5-03 | 500 | 4000 | 4000 | 120-360 |
| FM-0.5-04 | 500 | 5000 | 5000 | 120-360 |
| FM-0.5-05 | 500 | 6000 | 6000 | 120-360 |
| FM-1.0-01 | 1000 | 2000 | 2000 | 120-360 |
| FM-1.0-02 | 1000 | 3000 | 3000 | 120-360 |
| FM-1.0-03 | 1000 | 4000 | 4000 | 120-360 |
| FM-1.0-04 | 1000 | 5000 | 5000 | 120-360 |
| FM-1.0-05 | 1000 | 6000 | 6000 | 120-360 |
| FM-2.0-01 | 2000 | 2000 | 2000 | 120-360 |
| FM-2.0-02 | 2000 | 3000 | 3000 | 120-360 |
| FM-2.0-03 | 2000 | 4000 | 4000 | 120-360 |
| FM-2.0-04 | 2000 | 5000 | 5000 | 120-360 |
| FM-2.0-05 | 2000 | 6000 | 6000 | 120-360 |
| FM-3.0-01 | 3000 | 2000 | 2000 | 120-360 |
| FM-3.0-02 | 3000 | 3000 | 3000 | 120-360 |
| FM-3.0-03 | 3000 | 4000 | 4000 | 120-360 |
| FM-3.0-04 | 3000 | 5000 | 5000 | 120-360 |
| FM-3.0-05 | 3000 | 6000 | 6000 | 120-360 |

Our Other Products :

- 1.Powerised Roller Conveyors
2. Idler Roller Conveyors
- 3.Belt Conveyors
4. Chain Conveyors
- 5.Idlers and Rollers
6. Material Handling Trolleys

MANUFACHURERS

KUUALITY ENGINEERS

J 187, MIDC BHOSARI, PUNE 411 026, PH. NO. : +19 20 2745 7016 MOBILE : + 91 94225 20581, + 91 99755 73581
E mail : kuuality@vsnl.net, D.A.sutar@airtel.blackberry.com Web : www.kuualityengineers.com

This document was created with Win2PDF available at <http://www.daneprairie.com>.
The unregistered version of Win2PDF is for evaluation or non-commercial use only.